

IMPROVED

ASSEMBLY INSTRUCTIONS FOR 9" DEEP DISPLAY CASE #9057X

Parts:

- 1 - Back 14¹¹/₁₆" W x 10³/₈" H
- 2 - Floor/Ceiling 14¹¹/₁₆" W x 9³/₃₂" H
- 2 - Sides 9⁷/₁₆" W x 10³/₈" H
- 1 - Acrylic Pane 14⁷/₁₆" W x 9⁵/₈" H
- 2 - Cove Mouldings 10¹³/₃₂" L
- 2 - Cove Mouldings 14⁷/₁₆" L

Required Supplies:

- White Glue
- Masking Tape
- 100 Grit Sandpaper
- Primer/Sealer

Step 1:

Start with the back wall and a floor/ceiling piece. Stand the pieces on edge so that the long joint is vertical. Apply tape across the joint with the back piece outside, over the edge of the floor/ceiling pieces and flush along the edge. Tape the next joint like the first, back piece over the edge of the floor/ceiling piece.

From the inside of the box, open the taped joints and apply glue along the length of the edge of the floor/ceiling piece (Fig 1.). Fold the joints closed again and add tape if needed. Clean away any excess glue.

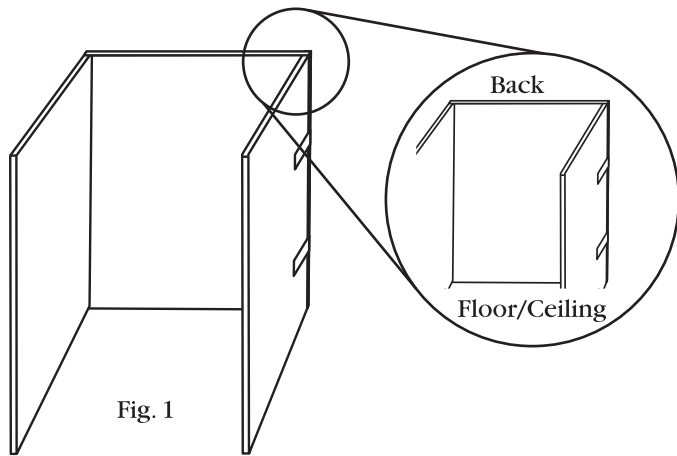


Fig. 1

Step 2:

With the box still on end, apply glue to the three joined panel edges (Fig. 2) and set an end wall in place on top, making sure the edges are flush on the back and sides. There is a slight overhang at the front. Secure with masking tape and clean away any excess glue.

Turn the box over, glue the other end wall in place and tape securely. Clean away any excess glue.

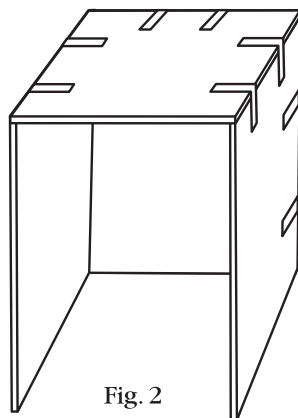
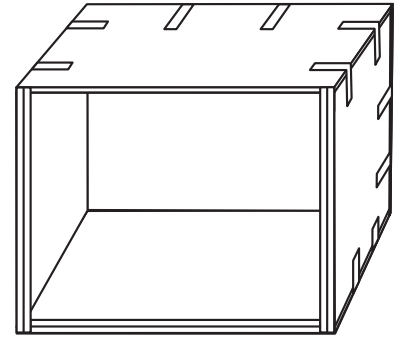


Fig. 2

Step 3:

Dry fit cove mouldings to be sure of how they fit around the box. Some sanding inside the routed channels may be necessary to allow the side pieces to slide easily over the side wall edges. The bottom cove moulding fits flush against the front edge of the floor.



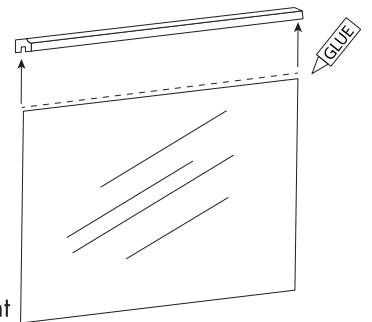
Apply glue along the front edges of the sides and floor. Slide one side piece into position and tape in place. Position and tape bottom piece, then the other side piece. Make sure corner joints are tight by binding with tape at the corners.

Step 4:

When the glue is completely dry (24 hours recommended), sand lightly as needed and paint all surfaces, interior and exterior, with gesso or another good primer/sealer. Finish as desired.

Step 5:

Finish top cove moulding to match box before continuing. Dry fit the moulding to the acrylic pane. Some sanding may be necessary inside the routed channel to allow it to fit easily over the edge of the pane. It is helpful to slide the pane into the box in order to determine the exact placement of the trim on top of the pane.



Remove the protective film and apply a thin line of glue to the top edge of the pane. Slide the molding into position. Be sure it is centered before the glue sets.

